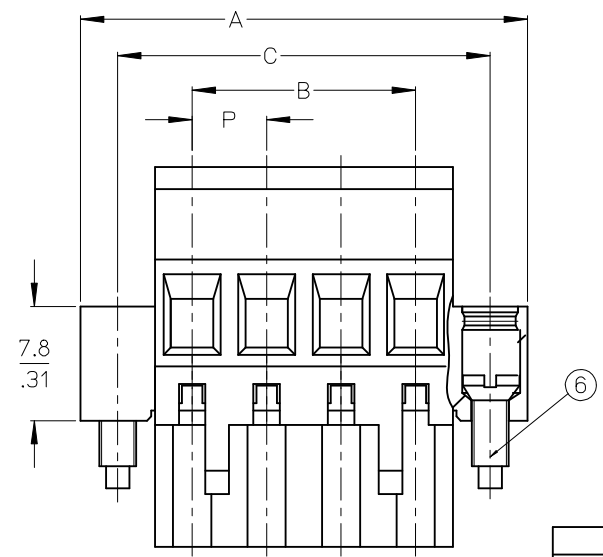
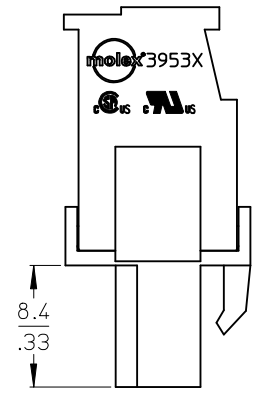
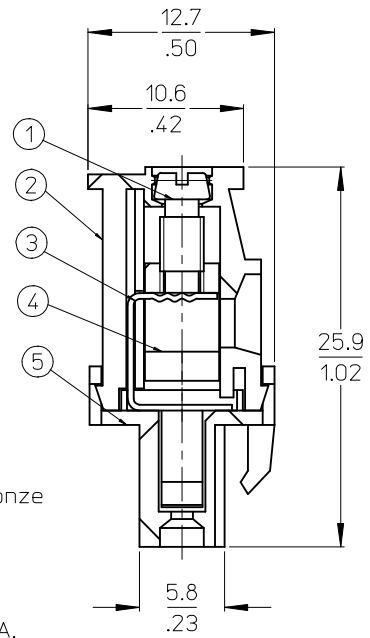
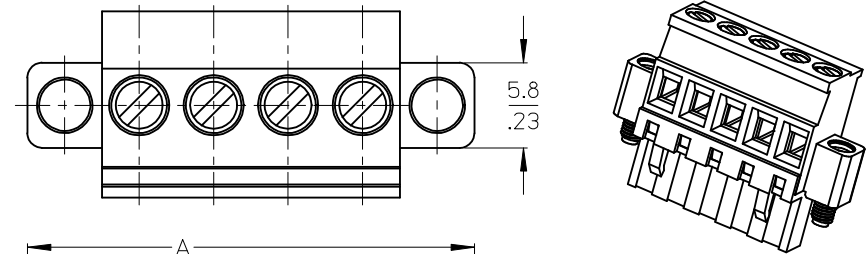


# Molex 39537-3002 PDF

深圳创唯电子有限公司

<http://www.molex-connect.com>

10 9 8 7 6 5 4 3 2 1



**SPECIFICATIONS**

1. Material:
  - (1). Screw: Steel
  - (2). Body: PA66
  - (3). Terminal: Phosphor Bronze
  - (4). Cage: Brass
  - (5). Cover: PA66
  - (6). Screw: Steel
2. Wire range: 12 - 26AWG
3. Electrical rating: 300V, 10A.
4. Wire stip length: 5.0mm.
5. Operating temperature: -40°C to +105°C.
6. Max torque: 3 in-lbs.
7. Insulation resistance: DC 500V, 500 Megohms.
8. Dielectric withstand: AC 2500V for 1 minute
9. Breakdown voltage: 4000V
10. Contact resistance: <10 milliohms
11. DIM. A = ( N + 2)X P
12. DIM. B = ( N - 1)X P
13. DIM. C = ( N + 1)X P
14. DIM. P (PITCH) = 5.08mm ( .200")
15. N = Number of positions available 2 through 24.
16. ALL COMPONENTS ARE ROHS COMPLIANT.

TOLERANCES			
MM	TOL	INCH	TOL
0-6	±0.25	0-.24	±.010
>6-30	±0.40	.24-1.18	±.016
>30-120	±0.50	1.18-4.76	±.020
>120	±0.80	>4.76	±.031

REVISED DOC TOL EC NO: IFC2017-0881 DRAWN: CRADDOREMS 2017/03/24 CHKD: APPR: BRUPERT 2017/04/18 REV A1	QUALITY SYMBOLS ▼=0 ▽=0	GENERAL TOLERANCES (UNLESS SPECIFIED) mm INCH 4 PLACES ±--- ±--- 3 PLACES ±--- ±--- 2 PLACES ±--- ±--- 1 PLACE ±--- ±--- ANGULAR ±---°	DIMENSION STYLE MM/IN DRAWN BY DATE C. YORK 2006/03/16 CHECKED BY DATE R. DEROSS 2006/03/16 APPROVED BY DATE R. DEROSS 2006/03/16 MATERIAL NO.	SCALE DESIGN UNITS INCH THIRD ANGLE PROJECTION	TITLE 5.08MM, EURO PLUG, VERTICAL REAR WIRE ENTRY WITH MOUNTING ENDS MOLEX INCORPORATED	DOCUMENT NO. SD-39537-001 SHEET NO. 1 OF 2
	DRAFT WHERE APPLICABLE MUST REMAIN WITHIN DIMENSIONS		SEE SHT. 2	THIS DRAWING CONTAINS INFORMATION THAT IS PROPRIETARY TO MOLEX INCORPORATED AND SHOULD NOT BE USED WITHOUT WRITTEN PERMISSION		

9 8 7 6 5 4 3 2 1

Description	Circuit size	National Numbers												Dimensional Information							
		Black						Green						Dim A		Dim H		Dim C			
		100% Tin			30 u" Gold			100% Tin			30 u" Gold			mm	inch	mm	inch	mm	inch		
		Printing Options			Printing Options			Printing Options			Printing Options										
None	10AV	11AV	None	10AV	11AV	None	10AV	11AV	None	10AV	11AV	None	10AV	11AV	mm	inch	mm	inch	mm	inch	
5.08mm Euro Plug, Vertical RWE, Mounting Ends	2	395373002	395373002	395373002	395373002	395373002	395373002	395373002	395373002	395373002	395373002	395373002	395373002	395373002	395373002	20.3	0.80	5.1	0.20	15.2	0.60
5.08mm Euro Plug, Vertical RWE, Mounting Ends	3	395373003	395373003	395373003	395373003	395373003	395373003	395373003	395373003	395373003	395373003	395373003	395373003	395373003	395373003	25.4	1.00	10.2	0.40	20.3	0.80
5.08mm Euro Plug, Vertical RWE, Mounting Ends	4	395373004	395373004	395373004	395373004	395373004	395373004	395373004	395373004	395373004	395373004	395373004	395373004	395373004	395373004	30.5	1.20	15.2	0.60	25.4	1.00
5.08mm Euro Plug, Vertical RWE, Mounting Ends	5	395373005	395373005	395373005	395373005	395373005	395373005	395373005	395373005	395373005	395373005	395373005	395373005	395373005	395373005	35.6	1.40	20.3	0.80	30.5	1.20
5.08mm Euro Plug, Vertical RWE, Mounting Ends	6	395373006	395373006	395373006	395373006	395373006	395373006	395373006	395373006	395373006	395373006	395373006	395373006	395373006	395373006	40.6	1.60	25.4	1.00	35.6	1.40
5.08mm Euro Plug, Vertical RWE, Mounting Ends	7	395373007	395373007	395373007	395373007	395373007	395373007	395373007	395373007	395373007	395373007	395373007	395373007	395373007	395373007	45.7	1.80	30.5	1.20	40.6	1.60
5.08mm Euro Plug, Vertical RWE, Mounting Ends	8	395373008	395373008	395373008	395373008	395373008	395373008	395373008	395373008	395373008	395373008	395373008	395373008	395373008	395373008	50.8	2.00	35.6	1.40	45.7	1.80
5.08mm Euro Plug, Vertical RWE, Mounting Ends	9	395373009	395373009	395373009	395373009	395373009	395373009	395373009	395373009	395373009	395373009	395373009	395373009	395373009	395373009	55.9	2.20	40.6	1.60	50.8	2.00
5.08mm Euro Plug, Vertical RWE, Mounting Ends	10	395373010	395373010	395373010	395373010	395373010	395373010	395373010	395373010	395373010	395373010	395373010	395373010	395373010	395373010	61.0	2.40	45.7	1.80	55.9	2.20
5.08mm Euro Plug, Vertical RWE, Mounting Ends	11	395373011	395373011	395373011	395373011	395373011	395373011	395373011	395373011	395373011	395373011	395373011	395373011	395373011	395373011	66.0	2.60	50.8	2.00	61.0	2.40
5.08mm Euro Plug, Vertical RWE, Mounting Ends	12	395373012	395373012	395373012	395373012	395373012	395373012	395373012	395373012	395373012	395373012	395373012	395373012	395373012	395373012	71.1	2.80	55.9	2.20	66.0	2.60
5.08mm Euro Plug, Vertical RWE, Mounting Ends	13	395373013	395373013	395373013	395373013	395373013	395373013	395373013	395373013	395373013	395373013	395373013	395373013	395373013	395373013	76.2	3.00	61.0	2.40	71.1	2.80
5.08mm Euro Plug, Vertical RWE, Mounting Ends	14	395373014	395373014	395373014	395373014	395373014	395373014	395373014	395373014	395373014	395373014	395373014	395373014	395373014	395373014	81.3	3.20	66.0	2.60	76.2	3.00
5.08mm Euro Plug, Vertical RWE, Mounting Ends	15	395373015	395373015	395373015	395373015	395373015	395373015	395373015	395373015	395373015	395373015	395373015	395373015	395373015	395373015	86.4	3.40	71.1	2.80	81.3	3.20
5.08mm Euro Plug, Vertical RWE, Mounting Ends	16	395373016	395373016	395373016	395373016	395373016	395373016	395373016	395373016	395373016	395373016	395373016	395373016	395373016	395373016	91.4	3.60	76.2	3.00	86.4	3.40
5.08mm Euro Plug, Vertical RWE, Mounting Ends	17	395373017	395373017	395373017	395373017	395373017	395373017	395373017	395373017	395373017	395373017	395373017	395373017	395373017	395373017	96.5	3.80	81.3	3.20	91.4	3.60
5.08mm Euro Plug, Vertical RWE, Mounting Ends	18	395373018	395373018	395373018	395373018	395373018	395373018	395373018	395373018	395373018	395373018	395373018	395373018	395373018	395373018	101.6	4.00	86.4	3.40	96.5	3.80
5.08mm Euro Plug, Vertical RWE, Mounting Ends	19	395373019	395373019	395373019	395373019	395373019	395373019	395373019	395373019	395373019	395373019	395373019	395373019	395373019	395373019	106.7	4.20	91.4	3.60	101.6	4.00
5.08mm Euro Plug, Vertical RWE, Mounting Ends	20	395373020	395373020	395373020	395373020	395373020	395373020	395373020	395373020	395373020	395373020	395373020	395373020	395373020	395373020	111.8	4.40	96.5	3.80	106.7	4.20
5.08mm Euro Plug, Vertical RWE, Mounting Ends	21	395373021	395373021	395373021	395373021	395373021	395373021	395373021	395373021	395373021	395373021	395373021	395373021	395373021	395373021	116.8	4.60	101.6	4.00	111.8	4.40
5.08mm Euro Plug, Vertical RWE, Mounting Ends	22	395373022	395373022	395373022	395373022	395373022	395373022	395373022	395373022	395373022	395373022	395373022	395373022	395373022	395373022	121.9	4.80	106.7	4.20	116.8	4.60
5.08mm Euro Plug, Vertical RWE, Mounting Ends	23	395373023	395373023	395373023	395373023	395373023	395373023	395373023	395373023	395373023	395373023	395373023	395373023	395373023	395373023	127.0	5.00	111.8	4.40	121.9	4.80
5.08mm Euro Plug, Vertical RWE, Mounting Ends	24	395373024	395373024	395373024	395373024	395373024	395373024	395373024	395373024	395373024	395373024	395373024	395373024	395373024	395373024	132.1	5.20	116.8	4.60	127.0	5.00

TOLERANCES			
MM	TOL	INCH	TOL
0-6	±0.25	0-.24	±.010
>6-30	±0.40	.24-1.18	±.016
>30-120	±0.50	1.18-4.76	±.020
>120	±0.80	>4.76	±.031

REVISED DOC TOL  
 EC NO: PG2017-0861  
 DRAWN: CRADDOREWS 2017/03/24  
 CHKD:  
 APPR: BRUPERT 2017/04/18

QUALITY SYMBOLS  
 ▽=0  
 ▽=0  
 A1

GENERAL TOLERANCES (UNLESS SPECIFIED)

	mm	INCH
4 PLACES	±.005	±.0005
3 PLACES	±.005	±.0005
2 PLACES	±.005	±.0005
1 PLACE	±.005	±.0005
ANGULAR ±.005°		

DRAFT WHERE APPLICABLE  
 MUST REMAIN WITHIN DIMENSIONS

DIMENSION STYLE  
 MM/IN

DRAWN BY DATE  
 C. YORK 2006/03/16

CHECKED BY DATE  
 R. DEROSS 2006/03/16

APPROVED BY DATE  
 R. DEROSS 2006/03/16

MATERIAL NO.

SIZE B

SCALE DESIGN UNITS INCH

THIRD ANGLE PROJECTION

TITLE  
 5.08MM, EURO PLUG, VERTICAL REAR WIRE ENTRY WITH MOUNTING ENDS

MOLEX MOLEX INCORPORATED

DOCUMENT NO. SD-39537-001

SHEET NO. 2 OF 2

THIS DRAWING CONTAINS INFORMATION THAT IS PROPRIETARY TO MOLEX INCORPORATED AND SHOULD NOT BE USED WITHOUT WRITTEN PERMISSION